



FOOD EQUIPMENT

SERVING THE FOOD INDUSTRY SINCE 1951

STAINLESS STEEL CONVEYOR TOASTER

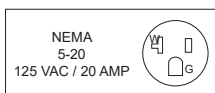
ITEM: 11385 MODEL: CE-TW-0250



Omcan's Stainless Steel Conveyor Toaster is designed to provide consistent heat with infrared heaters. Equipped with a variable speed control and adjustable top/bottom heat controls. Body is made of stainless steel. Comes with a high-limit switch which prevents overheating.



WARRANTY
PARTS AND LABOR



Authorized Dealer

FOOD EQUIPMENT

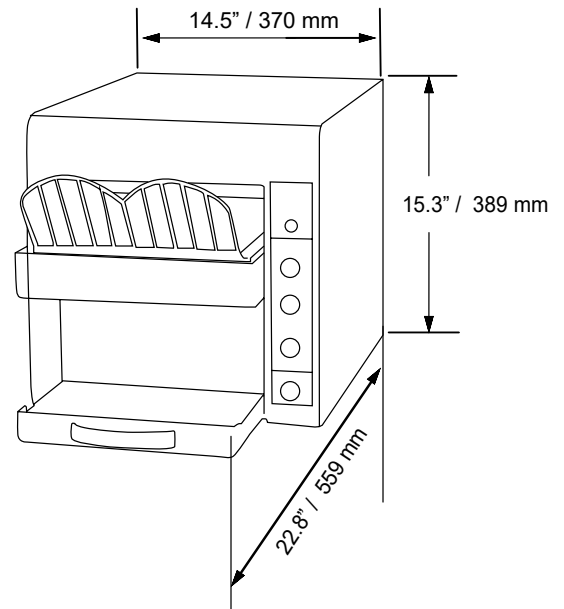
STAINLESS STEEL CONVEYOR TOASTER CE-TW-0250 / 11385



TECHNICAL SPECIFICATIONS

ITEM NUMBER	11385
MODEL	CE-TW-0250
POWER	1.8 kW / 1800 W
GAP OPENING (H x W)	1.50" x 10 3/8" / 38.1 x 263.5 mm
AMPS	12.5
SLICES	2
CAPACITY	300 slices/hr.
ELECTRICAL	120 V / 60 Hz / 1 Ph
WEIGHT	50 lbs. / 22.6 kg.
PACKAGING WEIGHT	52 lbs. / 23.5 kg.
DIMENSIONS (DWH)	22.8" x 14.5" x 15.3" 559 x 370 x 389 mm
PACKAGING DIMENSIONS	24.75" x 17.25" x 19.5" 629 x 438 x 495 mm

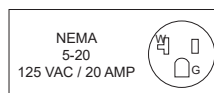
TECHNICAL DRAWING AND DIMENSIONS



PRODUCT	TOP HEAT	BOTTOM HEAT	BELT SPEED
Pizza 12" Blanched	149°C / 300°F	204°C / 400°F	6 minutes
Meat & Cheese Sandwich	232°C / 450°F	149°C / 300°F	4 minutes
Meatball	260°C / 500°F	177°C / 350°F	2 minutes
Bagel (opened)	260°C / 500°F	204°C / 400°F	2 minutes
1 oz Cookies	93°C / 200°F	121°C / 250°F	10 minutes
Garlic Bread Lightly Seasoned	260°C / 500°F	260°C / 500°F	2 minutes
Fish Sizzle Platter	204°C / 400°F	260°C / 500°F	6 minutes



WARRANTY
PARTS AND LABOR



OMCAN INC.

Telephone: 1-800-465-0234
Fax: (905) 607-0234
E-mail: sales@omcan.com
Website: www.omcan.com



Follow us to keep up to date with the latest news and offers

